

Classic

**Window Installation
Guide**



Contents

p3 SURVEY

Survey & Pre-Installation	3
---------------------------	---

p4 WINDOW INSTALLATION

Operational Sash Removal	4
Dummy Sash Removal	5
Cill Preparation	6
Frame Fitting	7
Operational Sash Fitting	8
Dummy Sash Fitting	9
Toe & Heel Device	10
External Finishing & Final Checks	11

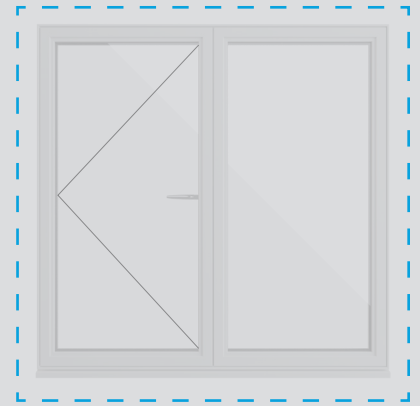
p12 REMEDIAL WORK

Deglazing A Sash	12
------------------	----

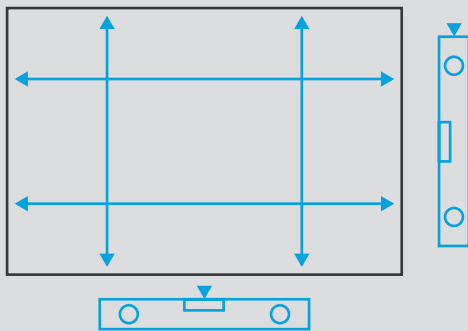
Survey & Pre-Installation

Check the aperture to make sure that there is no loose plaster or brickwork, and that it is free of any debris or brick dust.

Frame size = brick to brick size – 5mm each side, so that window can be installed level and square.

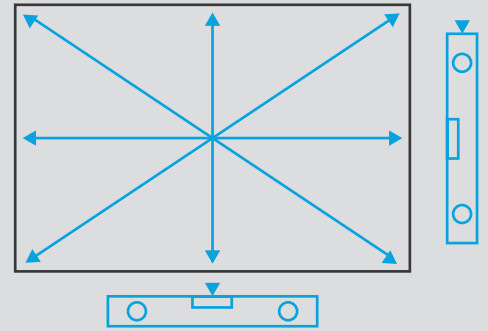


1.



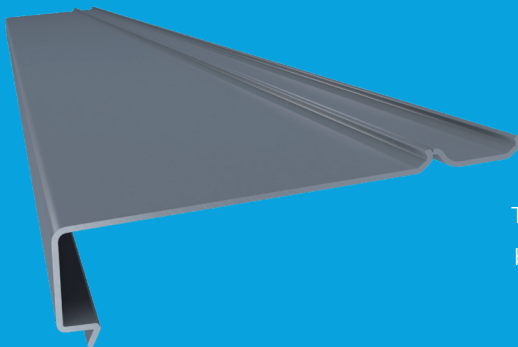
Ensure that all four sides of the aperture are plumb and square, and identify any potential packing points. Check for alignment at points shown.

2.



Check that the cill is level and provides a solid base to ensure it will not cause the window to distort.
Note: The window should be packed under the cill jambs to provide sufficient support.

Disclaimer: Please check with the latest Building Regulations and standards that are relevant to your area for guidance and to ensure you comply with the latest regulations. The advice given in this document assumes fitting will be carried out by a qualified professional following BS 8213 - 4;2016 the Code of Practice for the Survey and Installation of Windows and External doorsets, where applicable.



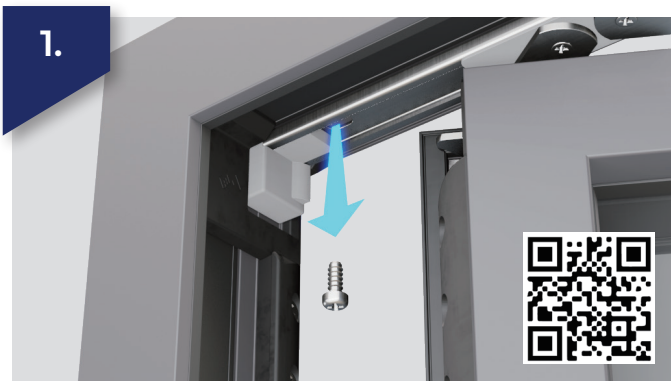
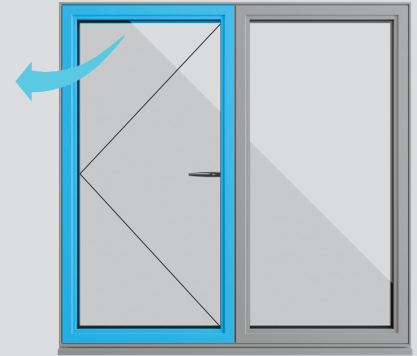
Cill Protector

SA516 Reusable Cill Protectors are available from Sheerline. These help prevent damage on renovations and new-builds where building work will continue after the windows have been installed.

IMPORTANT: If your windows have arrived to site with the sashes installed you may want to remove them before installation to stay within safe manual handling limits.

Operational Sash Removal

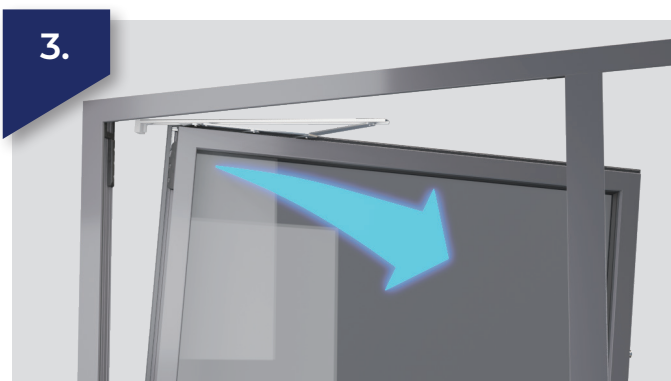
Smaller frames will come with sashes pre-hung, but to comply with safe manual handling requirements bigger frames and sashes will arrive separately.



1. Remove sashes where possible (operational and dummy), to lighten the installation. Make sure you have a safe and protected surface to lay the sash once you've removed it. Start by unscrewing the sash.



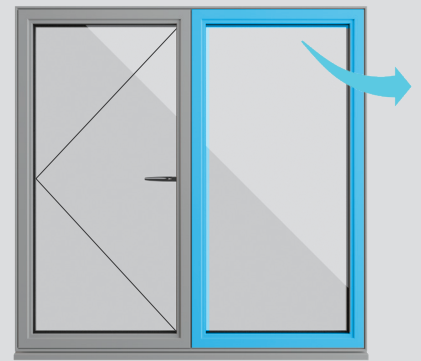
2. Holding the sash securely, tilt the hinges away from the corner hinge locators.



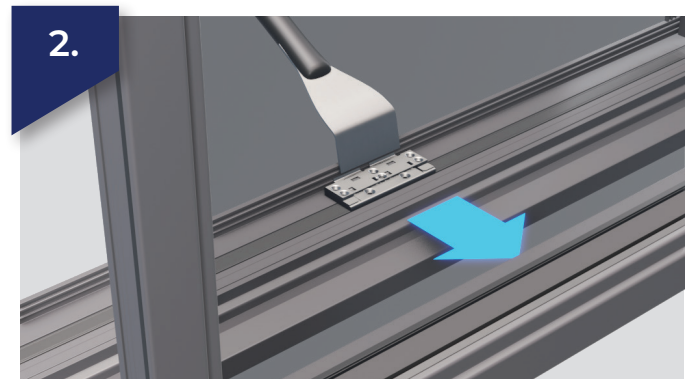
3.

Dummy Sash Removal

To release the sash locate the dummy sash packer using the release tool. Press down firmly onto the paddle plate before rolling forward onto the sash to disengage the lock.



1. If already fitted, release the sash by locating the dummy sash packer using the release tool. Press down firmly onto the paddle plate before rolling forward onto the sash to disengage the lock, ensuring you have put protective padding in place to protect the sash.



2. Please Note: the lock can be reengaged at any time to resecure the dummy sash in position.



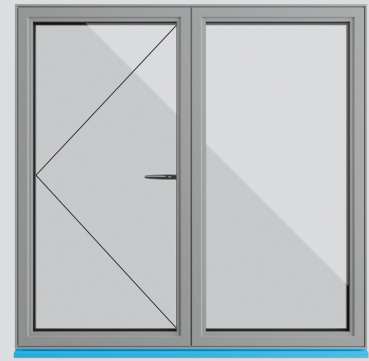
3. Make sure you have a safe and protected surface to lay the dummy sash once you've removed it. Start by unscrewing the sash.



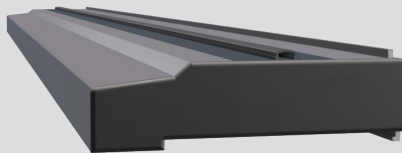
4. Holding the sash securely, tilt the hinges away from the corner hinge locators and lift out.

Cill Preparation

The cill can either be cut square to the width of the window, or cut with an additional 100mm on either side to form a traditional horn around the brickwork.

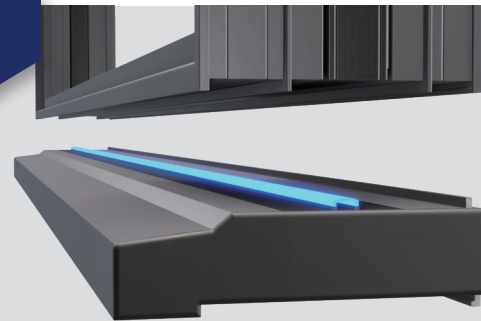


1.



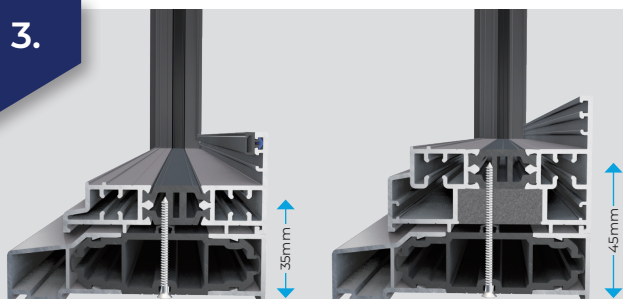
Secure end caps to the cill using a suitable superglue and activator.

2.



A co-extruded gasket on the cill, seals between the frame and cill along its length, so there is no need for sealant along this joint.

3.

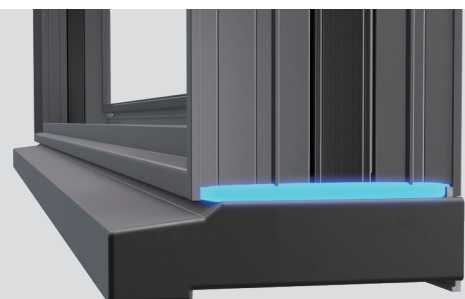


4.3 x 35mm CSC
PVC screws

4.3 x 45mm CSC
PVC screws

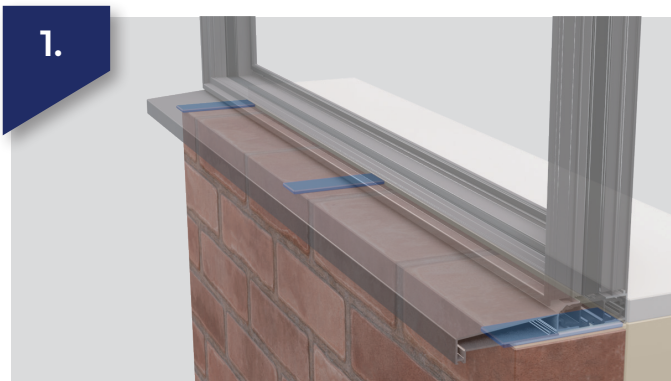
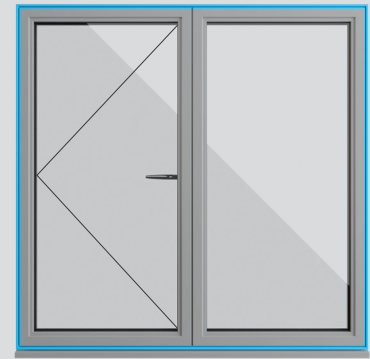
Fix through the cill into the window frame using countersunk PVC-U screws, taking care that they do not break into the internal glazing rebate. Fix 150mm from the ends and at max 300mm centers. Ensuring a minimum of 3 fixings.

4.

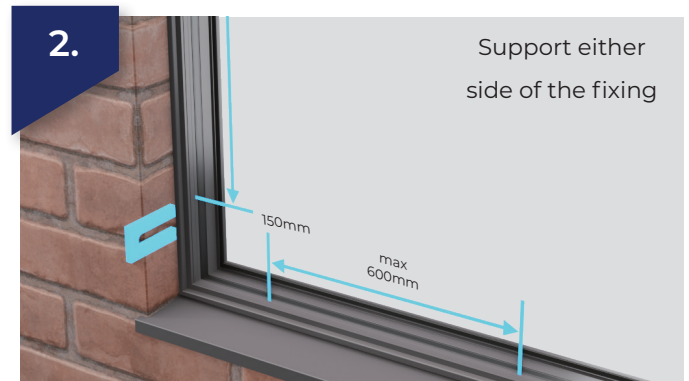


Seal with silicone along the edge where the cill meets the frame.

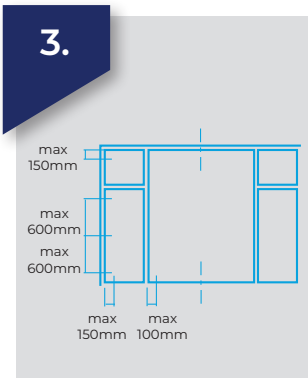
Frame Fitting



1. Pack under the cill and window jambs and seal along the aperture bottom in preparation for installation. It is good working practice to set the outer frame 30mm in from the front face of brickwork. Pack under each fixing point.



2. Support either side of the fixing. Pack around the frame using full-width packers ensuring that it's square and level, and ensure a 5mm gap is maintained. Drill pilot holes around the frame at min 150mm from corners and max 600mm centres in between, ensuring at least 2 fixings per side.



3. Additional fixings required top and bottom for frames over 1.8m wide as shown in industry codes of practice.



4. Prior to fixing the frame, seal the holes in the bottom of the frame to prevent water ingress.



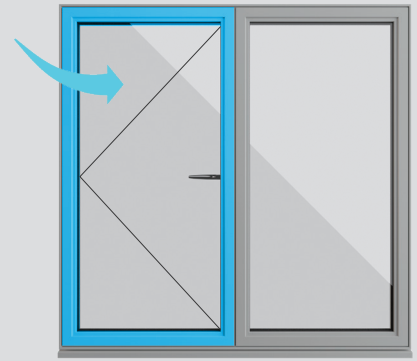
5. Fix the frame into the aperture using suitable 100mm frame fixings to suit construction material.



6. OPTIONAL: If fitting using fixing cleats, make sure they are securely fastened to the window and through the appropriate fixing holes internally.

Operational Sash Fitting

Clear the frame of any debris before fitting the sashes.



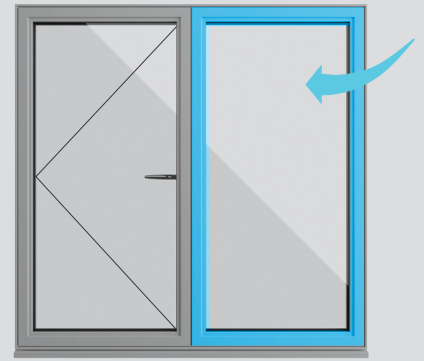
Open the hinges out and then simply place the hinges in the notches moulded into the run-up ramps, and then rotate the sash back into the corner hinge locators.



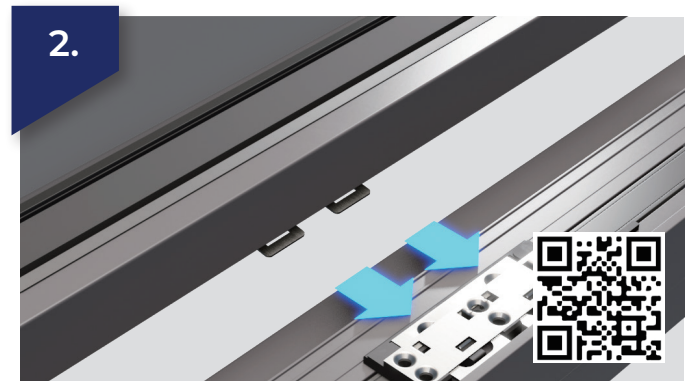
Once the sash is properly located it will be held firmly in place, allowing you to fix the hinge into position using 4.2 x 13mm pan head screws. Once complete, test for correct operation and repeat as required.



Additional Dummy Sash Fitting Instructions



Clear the frame of any debris before fitting the sashes.



If not already fitted:

The dummy sashes should be supplied with a two-pronged device. This is usually taped to the window, along with packing pieces and fixing screws. These are installed underneath the odd leg of the sash and the holes should have been predrilled.

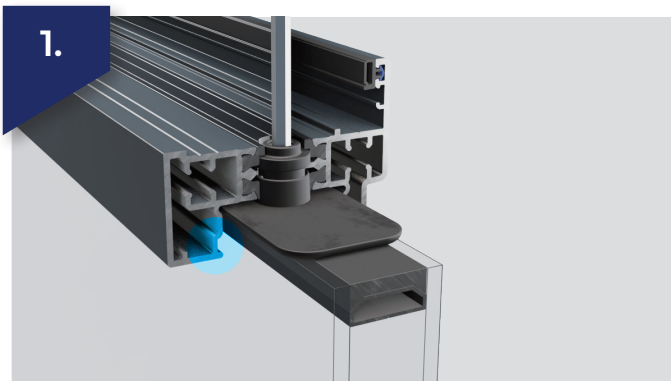
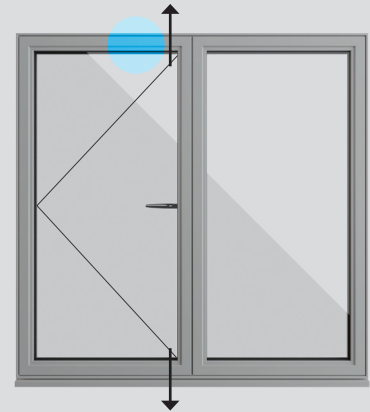
Check that the gap between the sash and the outer frame is consistent from left to right and that everything is parallel. Now push firmly closed.

IMPORTANT NOTE: ensure the packer is used (highlighted above), so that the sash can be removed later if necessary.

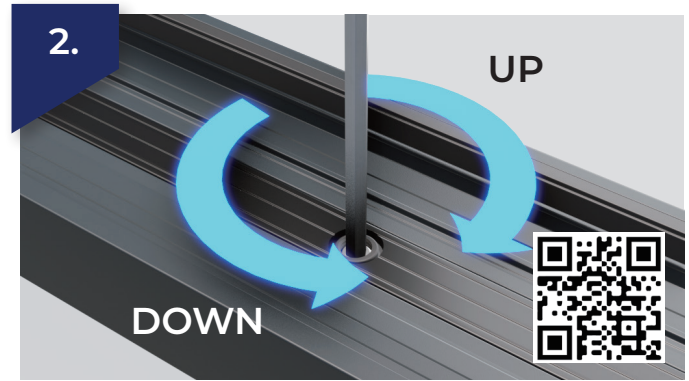
Toe & Heel Device Adjustment

(Where fitted)

Check functionality and make any adjustments needed using the toe & heel device built into Classic window sashes that require it. This is located at the top of a side-hung casement.



1. When adjusting the packer, remember to remove the wedge gasket from the window to allow the glass to move freely within the sash.

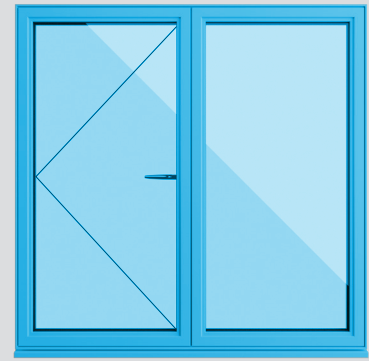


2. Using a 4mm Allen key, turn the grub screw clockwise to apply more pressure onto the packer, or counter-clockwise to relieve pressure to adjust the weight distribution of the glass. This will allow you to bring the sashes into line and ensure a perfect finish to your Classic window installation.

Once you are satisfied the windows are aligned correctly, re-insert the wedge gasket to seal the window.

Note: If you find the wedge gasket hard to reinstall, we recommend using a spray of glass cleaner to act as a lubricant.

External Finishing & Final Checks



1. Break off any protruding packers where necessary.

2. Remove protective tape from all profiles. Clean down aluminium and glass with warm, soapy water.

3. An expanding foam can be used to fill any large apertures around the frame. Be careful not to overfill. Now trim or silicone around outer frame and seal below external cill if applicable.

4. Check the window for correct function.



If you need to adjust the compression on window sashes, to ensure they open with minimal effort but maintains a tight seal when closed, adjust the locking pins on the espag lock using a 4mm allen key.

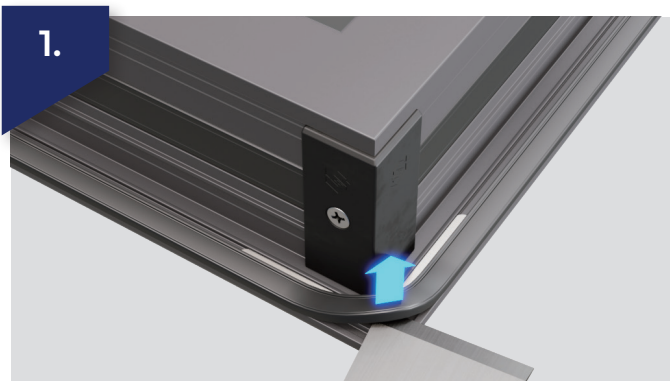
Turning clockwise or counter-clockwise, to decrease or increase the contact pressure between the sash and frame.

Deglazing A Sash

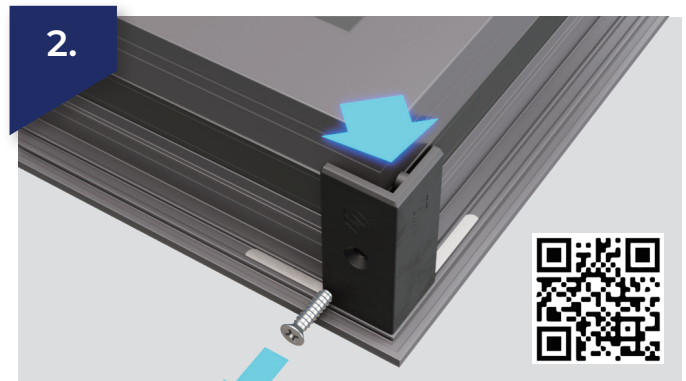
First prepare a flat, protected stable surface to lay the sash once you've removed it.

Now unscrew the sash and, holding it securely, tilt the hinges away from the corner hinge locators and lift out.

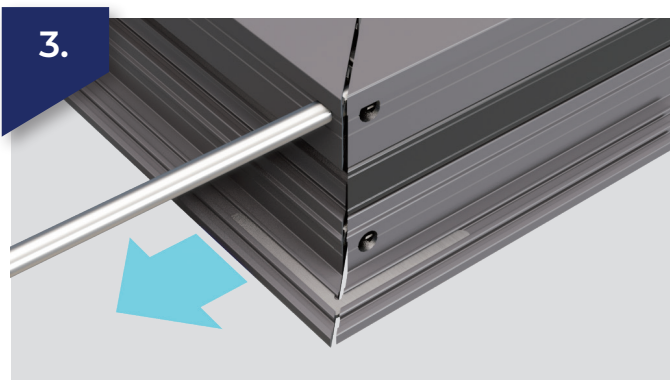
See p7 for sash removal procedure.



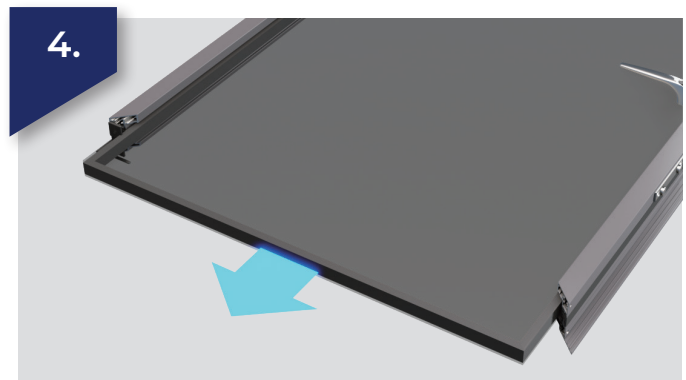
Once you have the sash laid flat, carefully remove the gasket using a palette knife or another suitable tool. Keep this to one side along with the other items you'll remove for refitting.



Remove the hinge, then the corner mouldings.



Now loosen and remove the top of the sash using a T25 Torx driver. Work on each corner evenly to prevent the corner cleat moulding breaking or stretching.

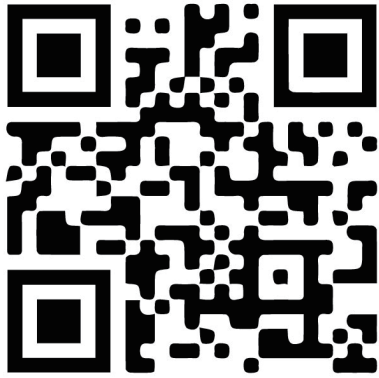


Carefully slide out the damaged unit. Once you've replaced the damaged unit or damaged length of profile, reassemble by reversing the process.

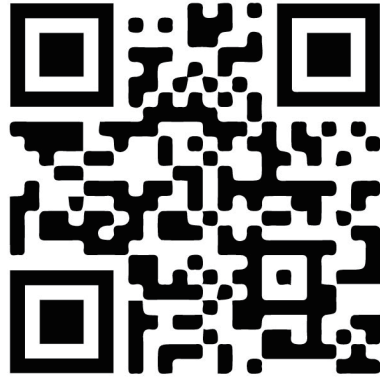
Note: If you find the wedge gasket hard to reinstall, we recommend using a spray of glass cleaner to act as a lubricant.

Repair screw **SH19** is available if required.

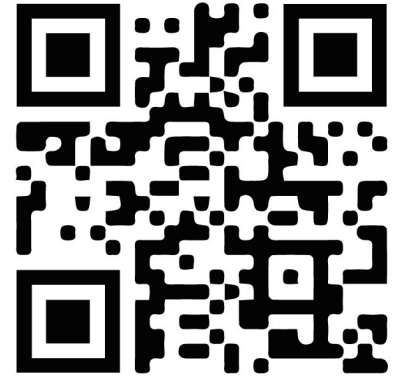
Video Links



Classic Window
Installation & Deglazing



Dummy Sash Lock
Fabrication & Operation



Classic Toe & Heel
Device

Please send any photos of your installation to
info@sheerline.com so we can share your work.

Or tag us on social media:



LINKEDIN
[/sheerlinesystem](https://www.linkedin.com/company/sheerlinesystem)



FACEBOOK
[/SheerlineSystem](https://www.facebook.com/SheerlineSystem)



INSTAGRAM
[@sheerlinealuminium](https://www.instagram.com/sheerlinealuminium)



X
[@SheerlineSystem](https://twitter.com/SheerlineSystem)



www.sheerline.com

